

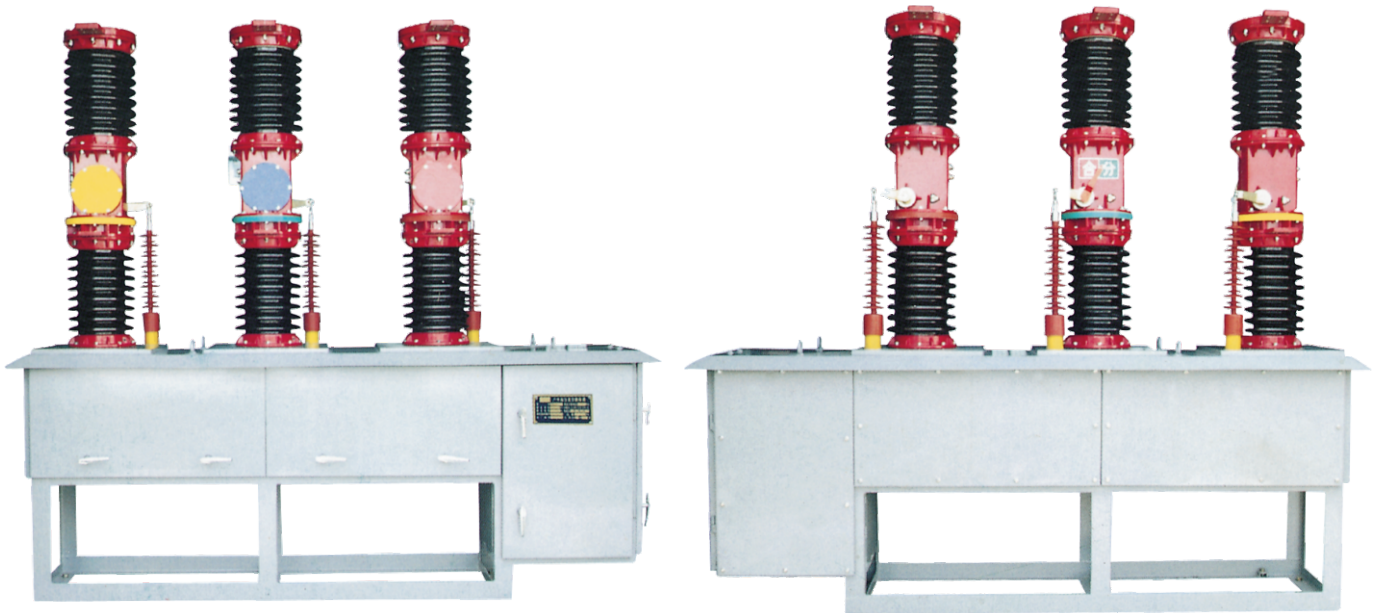
ZW7-40.5

系列户外高压真空断路器

Series outdoor high-voltage vacuum circuit breaker

吾心求索·通享未来

得益于多年的电气产品研发和制造经验，索通电气为您提供结合了先进技术和卓越工程设计的高压开关设备；系列产品符合智能化、安全性和可靠性要求最严苛的标准。该系列能为公共配电、工业和楼宇领域提供极具成本效益的解决方案，提高竞争力。



节能型
Energy Saving



智能化
Intellectualization



易维护
Easy Maintenance



安全性
Safety

ZW7-40.5

系列户外高压真空断路器

Series outdoor high-voltage vacuum circuit breaker



产品概述 General

ZW7-40.5型户外高压真空断路器用于交流50HZ、电压40.5KV的户外高压电器设备。附装弹簧操动结构或电磁操动结构，可以远控电动分、合闸，也可就地手动储能，手动分、合闸。设计性能符合GB1984-89《交流高压断路器》国家标准的要求。并满足IEC-56《交流高压断路器》国际电工委员会标准的要求。ZW7-40.5系列户外高压真空断路器，主要用于户外35KV输变电系统的控制与保护，也可适用于城、乡电网及工矿企业的正常操作与短路保护之用。该产品总体结构为瓷瓶支柱式；上瓷瓶内装真空灭弧室，下瓷瓶为支柱瓷瓶。适用于频繁操作的场所。并具有密封性好、抗老化、耐高压、不燃烧、无爆炸、使用寿命长、安装维护方便等优点。

ZW7-40.5 Series outdoor high voltage vacuum circuit breakers are main switchgear of AC 50Hz, 40.5KV, which is assembled with spring operating or electromagnetic operating mechanism. It can be operated to switch on/off by remote control, and it is also charged and switched on/off by hand. The design function of breaker complies with the requirements of GB1984-89 and IEC56 "AC high voltage circuit breaker", it is mainly used in outdoor 35KV distribution system to control and protect, also for normal operating and protecting short circuit of urban, rural network, or industrial enterprises. Its overall structure is supported by porcelain insulator, vacuum interrupter built in upper insulator, downside insulator used for supporting. The breaker applies to frequent operating places, with the advantages of good sealing, anti-aging, high voltage withstand, non flame, non explosion, long working life, easy installation and maintenance and etc.

型号及含义 Model and meaning



ZW7-40.5

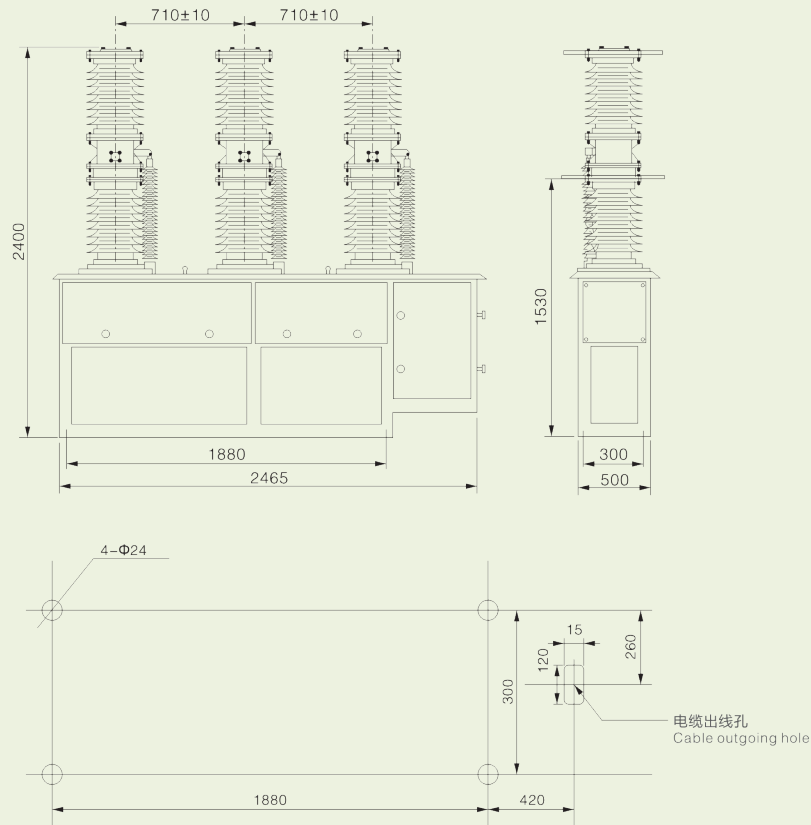
系列户外高压真空断路器
Series outdoor high-voltage vacuum circuit breaker



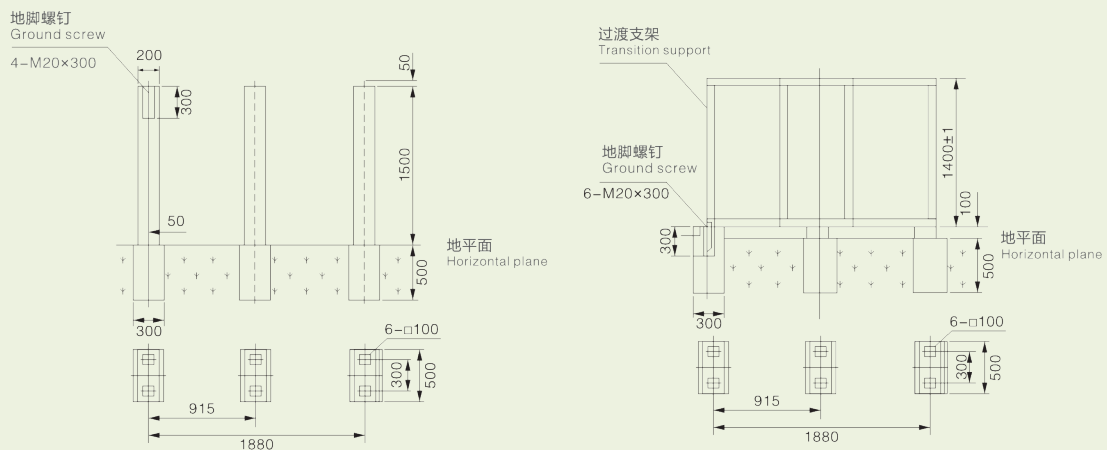
主要技术参数 Technical specifications

序号No.	名称 Description	单位 Unit	参数 Specifications
1	额定电压 Rated voltage	KV	40.5
2	额定绝缘水平 Rated Insulation level	1min工频耐压 1min Power frequency withstand voltage	干试 Dry KV 95
			湿试 Wet KV 80
		雷电冲击耐压(峰值) Lightning impulse withstand voltage (peak)	KV 185
3	额定电流 Rated current	A	1250、1600、2000
4	额定短路开断电流 Rated short circuit breaking current	KA	20、25、31.5
5	额定操作顺序 Rated operating sequence		分(O)-0.3s-合分(CO)-180s-合分(CO)
6	额定短路开断电流次数 Nos of breaking rated short circuit breaking current	次time	12
7	额定短路关合电流(峰值) Rated short circuit making current (peak)	KA	50、63、80
8	额定峰值耐受电流 Rated peak withstand current	KA	50、63、80
9	额定短路耐受电流 Rated short time withstand current	KA	20、25、31.5
10	额定短路持续时间 Duration of rated short circuit current	S	4
11	平均分闸速度 Average opening speed	s	0.7±0.2
12	平均合闸速度 Average closing speed	s	1.5±0.2
13	触头合闸弹跳时间 Jumping time of contact at closing	ms	≤2
14	三相合(分)闸同期性时差 Asynchrony of three phase closing (opening)	ms	≤2
15	合闸时间 Closing time	ms	≤150
16	分闸时间 Opening time	ms	≤60
17	机械寿命 Mechanical life	次time	10000
18	额定操作电压及辅助回路额定电压 Rated operating voltage and rated voltage of auxiliary circuit	V	DC 110/220
			AC 110/220
19	每相回路直流电阻(不含互感器) DC resistance of each phase circuit (CT not included)	μΩ	< 100
20	动静触头允许磨损厚度 Permissible abraded thickness of contact	mm	3
21	重量 Weight	kg	800

外形及安装尺寸 Outline and installation size



安装尺寸
Panel cutting size



安装基础尺寸图
Installation foundation plans